

spectrum project space

ECU Galleries



How to use this information packet:

Spectrum Project Space is divided into the following spaces -

West Wall

North Wall

Front Wall

South Wall 1

South Wall 2

East Wall

Look for the isometric drawing in the top right corner of the page. This will help you visualise what direction you are looking in. You will see a coloured area on the isometric that matches the wall that you are viewing. The highlighted wall is colour coded to the page you are on - which will help you navigate.

The elevations shown in this pdf are to scale. Their scale is noted on each page in the upper left corner of the main window. If the scale reads 1:100 then it shows that the drawing is 100 times smaller than in real life.

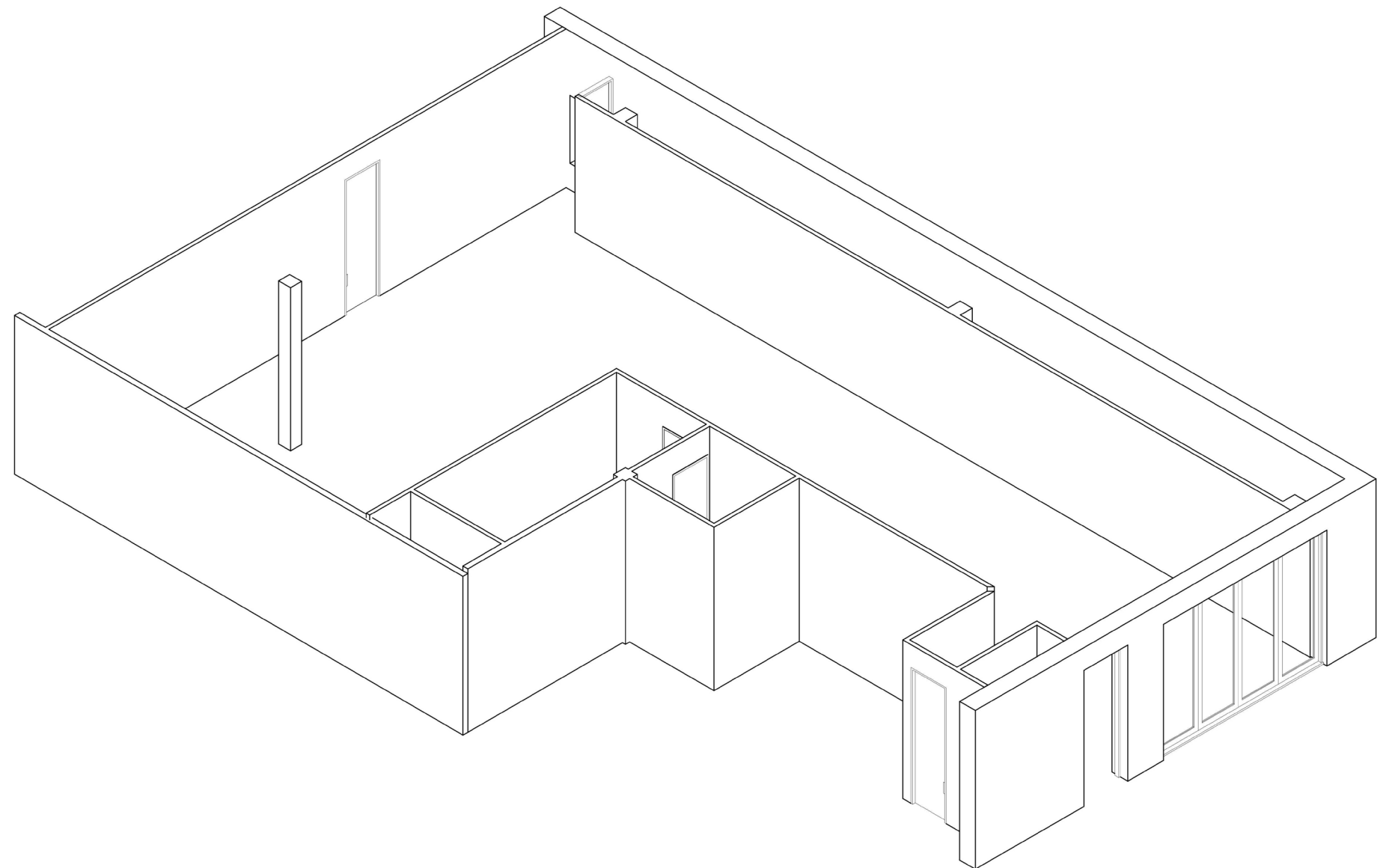
Power points and light switches are marked on the elevations with small rectangles. Otherwise, if a large flat space is shown, then a large flat space is what you will get!

Spectrum Project Space is an initiative of the School of Communications and Arts, Edith Cowan University.

Spectrum is located in building 3.19 at the Mount Lawley campus, 2 Bradford Street, Mount Lawley, Western Australia 6050

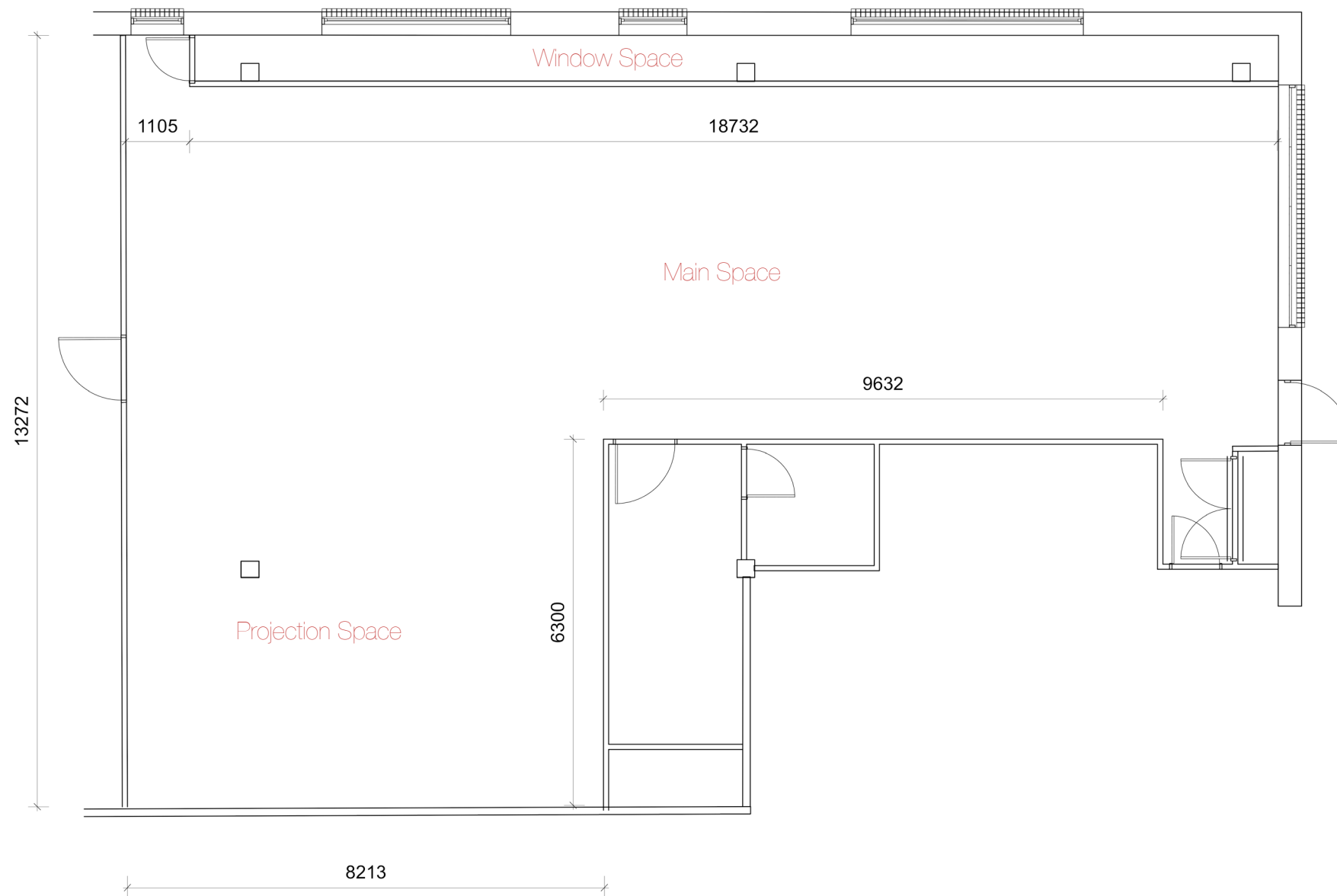
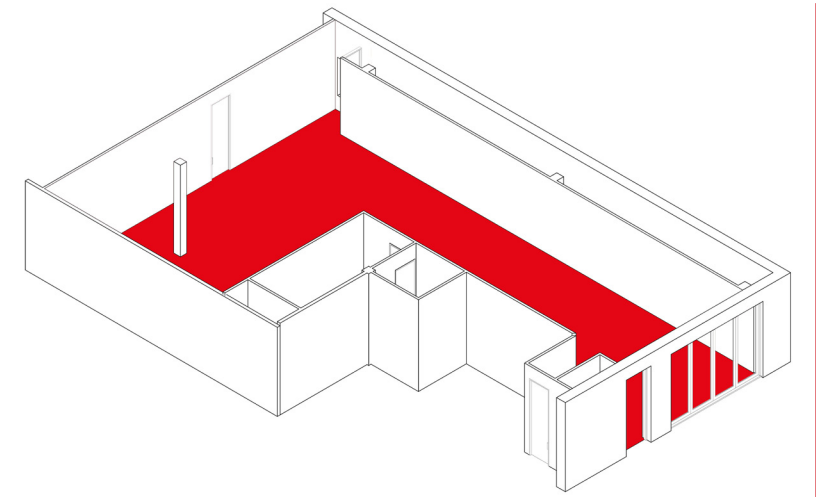
For more information or enquires please contact spectrum@ecu.edu.au

**Information packet designed by Interior & Spatial Design student Lisa Hannaford
Email: hannaford.lisa@gmail.com
Website: www.lisahannaforddesigns.com**



spectrum project space

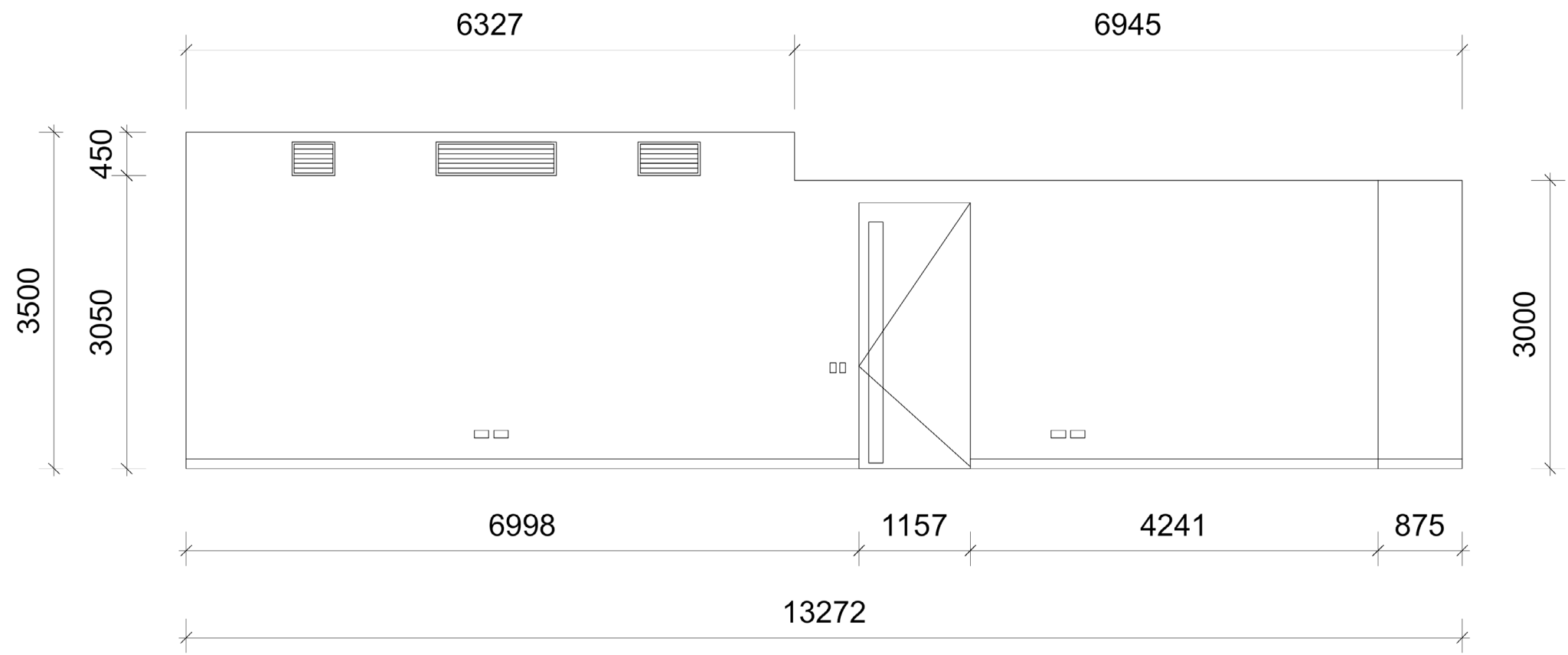
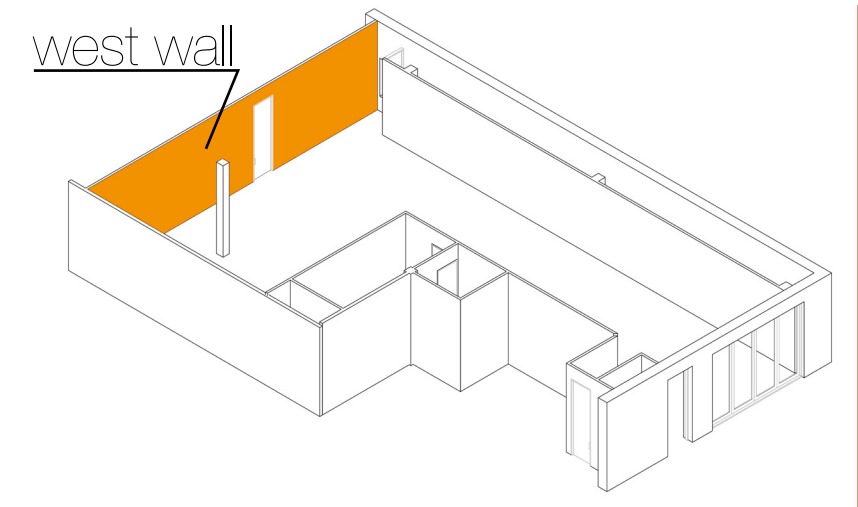
1:100



floor plan

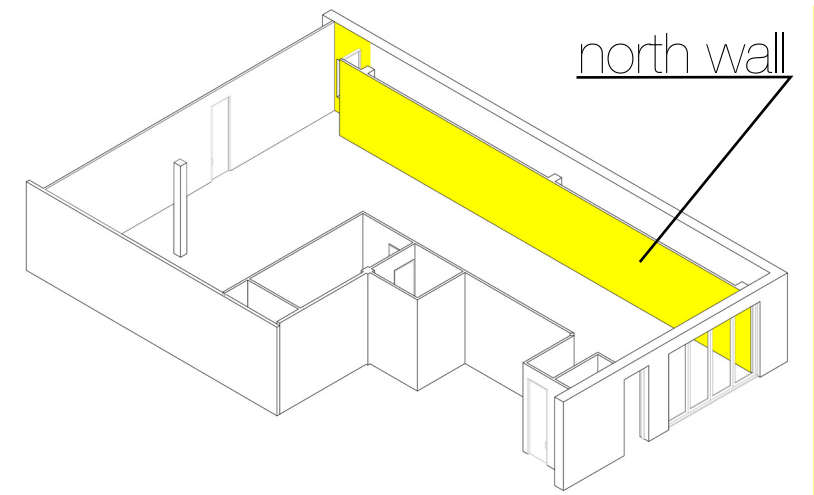
spectrum project space

1:60

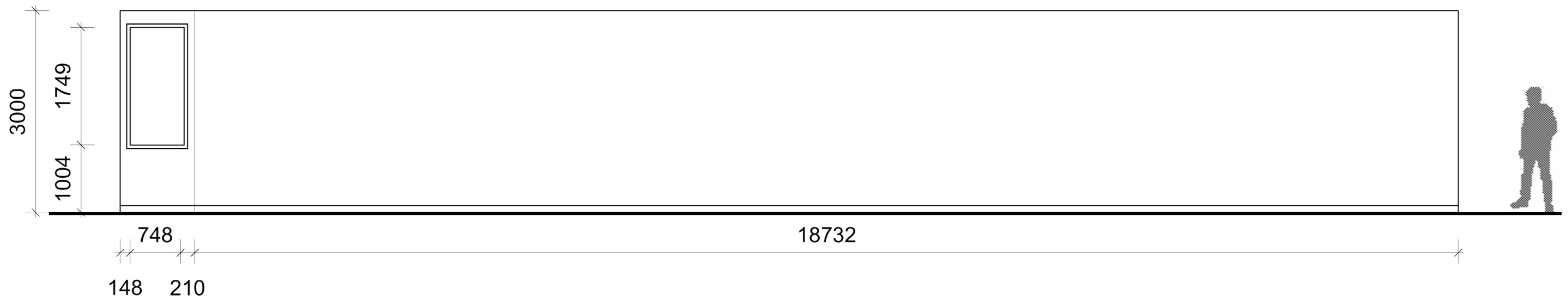


west wall

spectrum project space



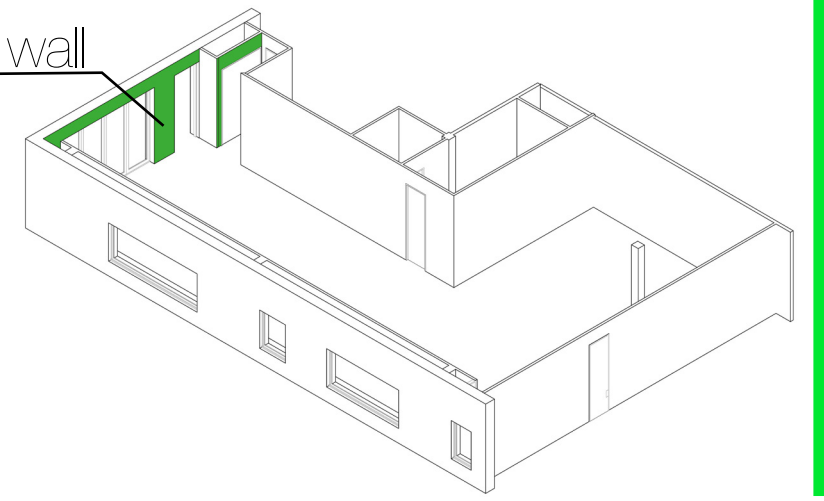
1:60



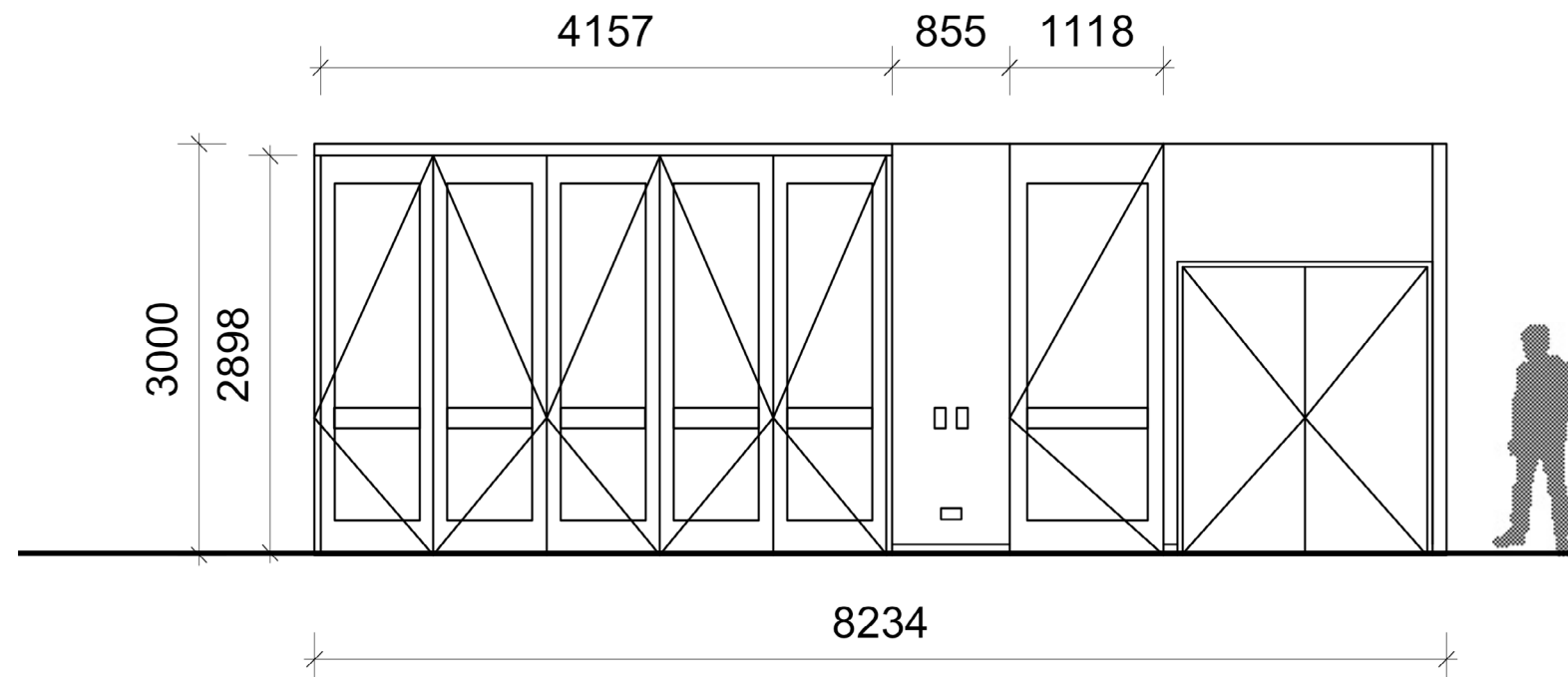
north wall

spectrum project space

front wall

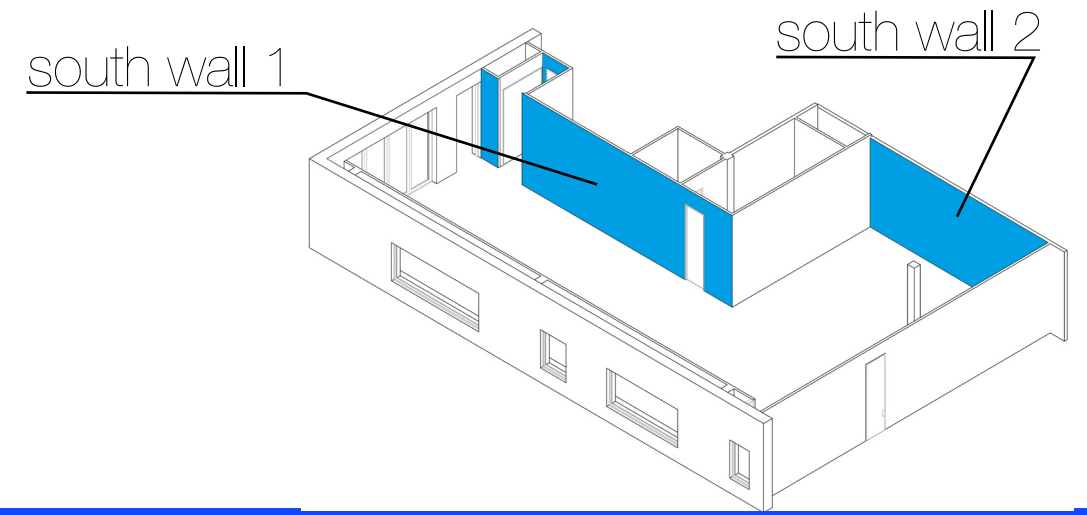


1:60

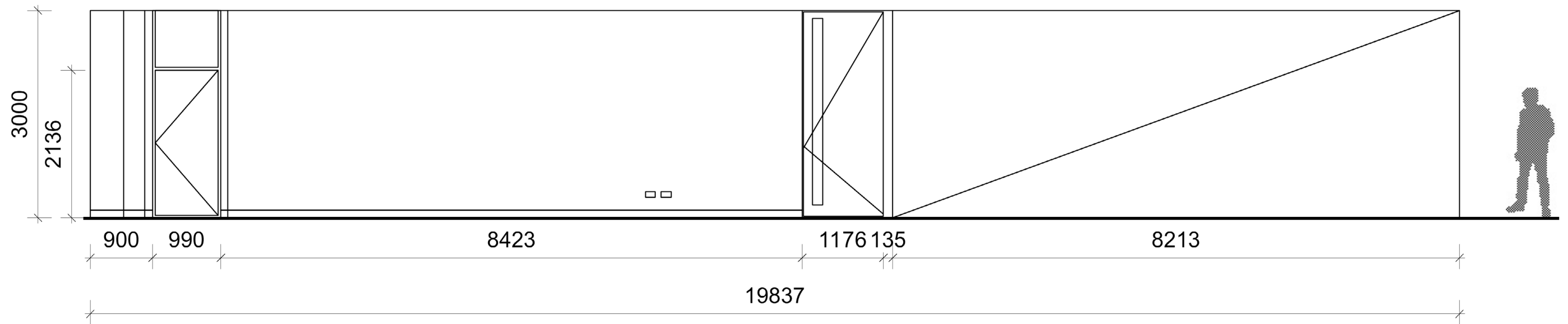


front wall

spectrum project space

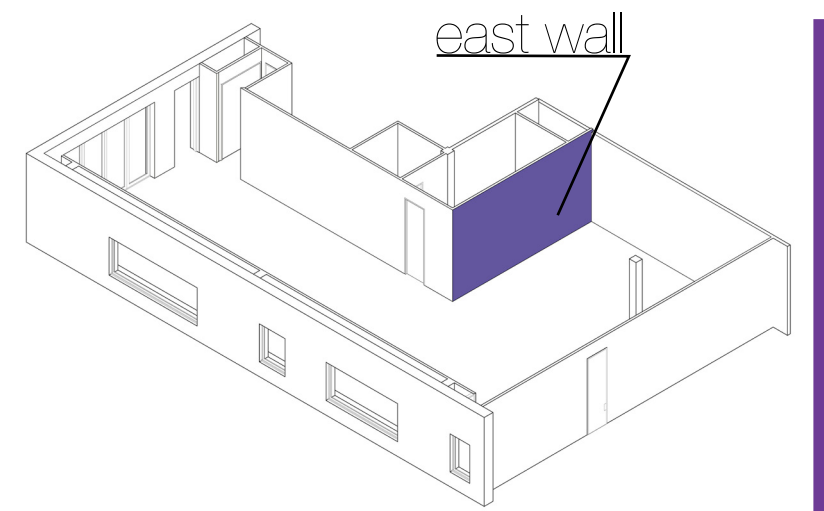


1:60

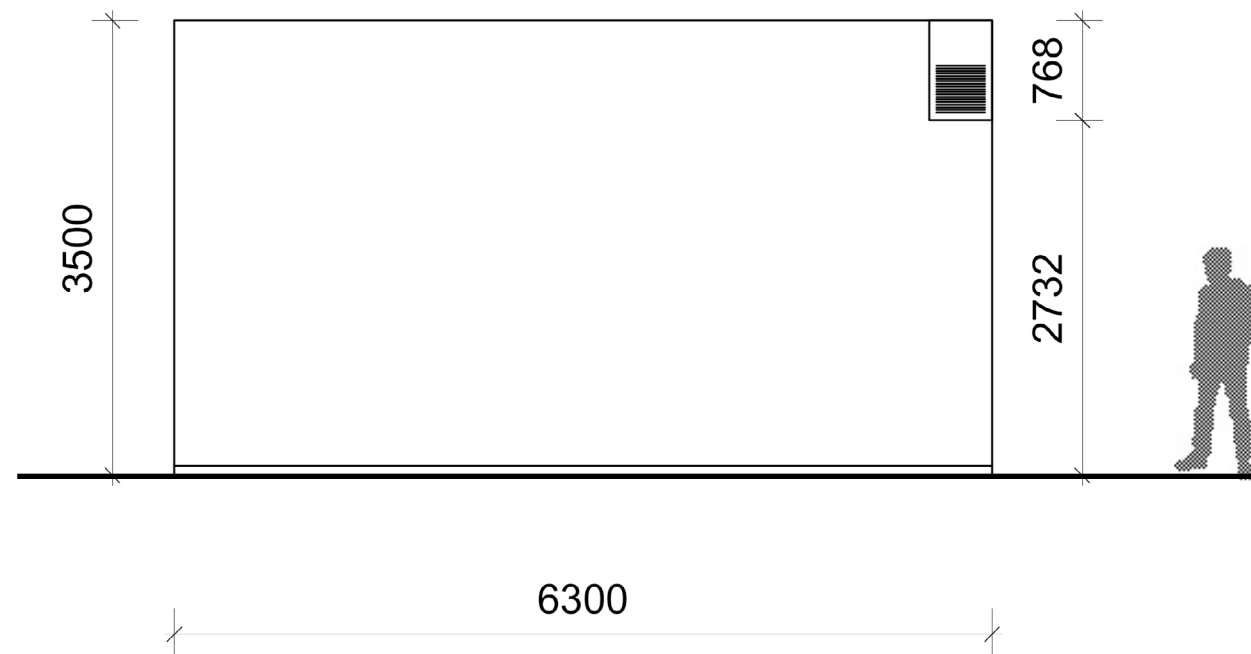


south wall 1 & 2

spectrum project space

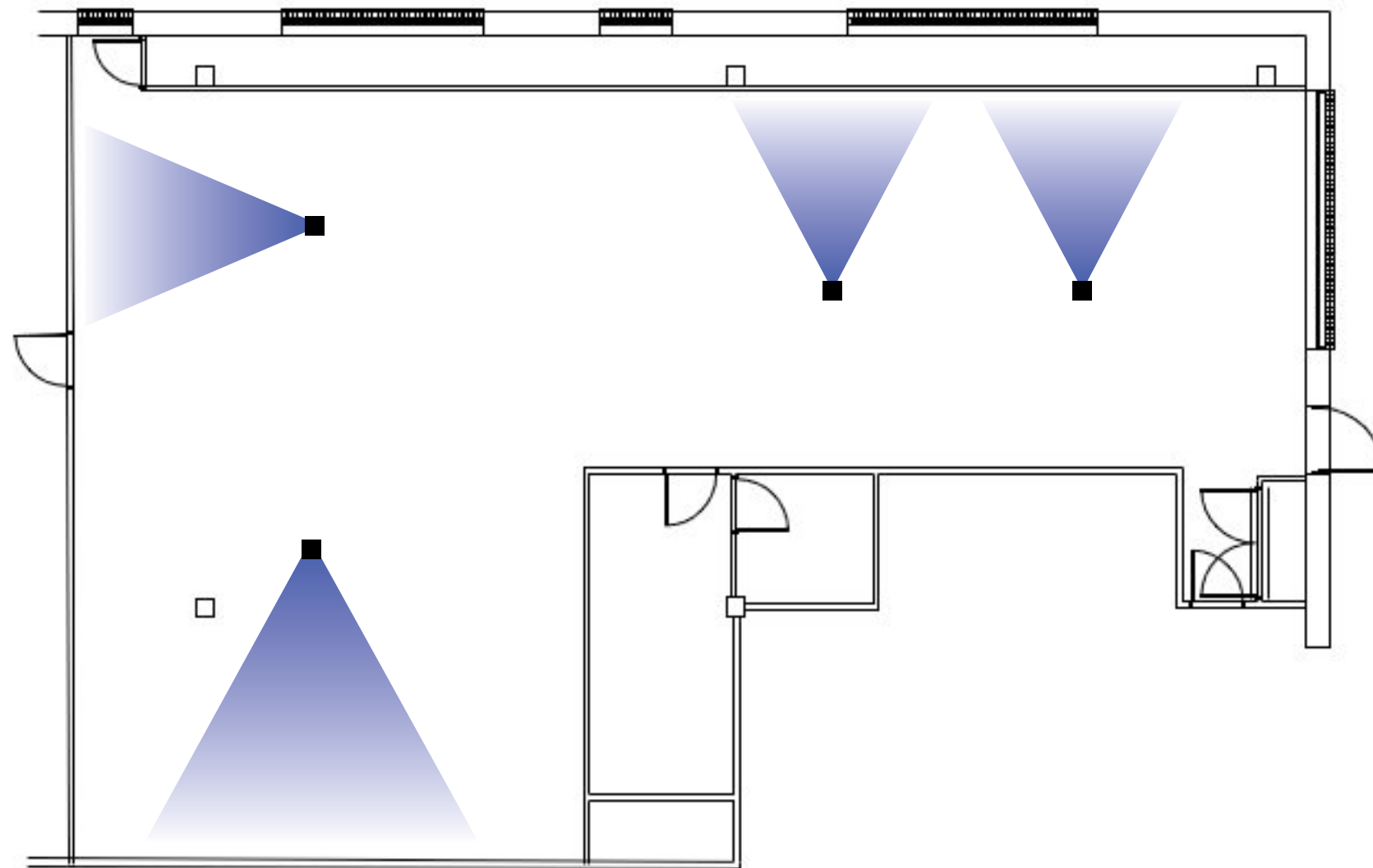
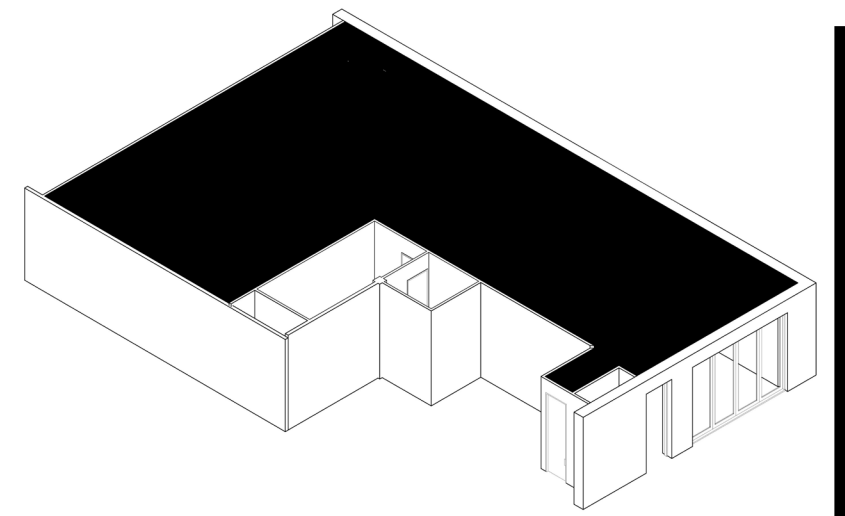


1:60



east wall

spectrum
project
space



projectors